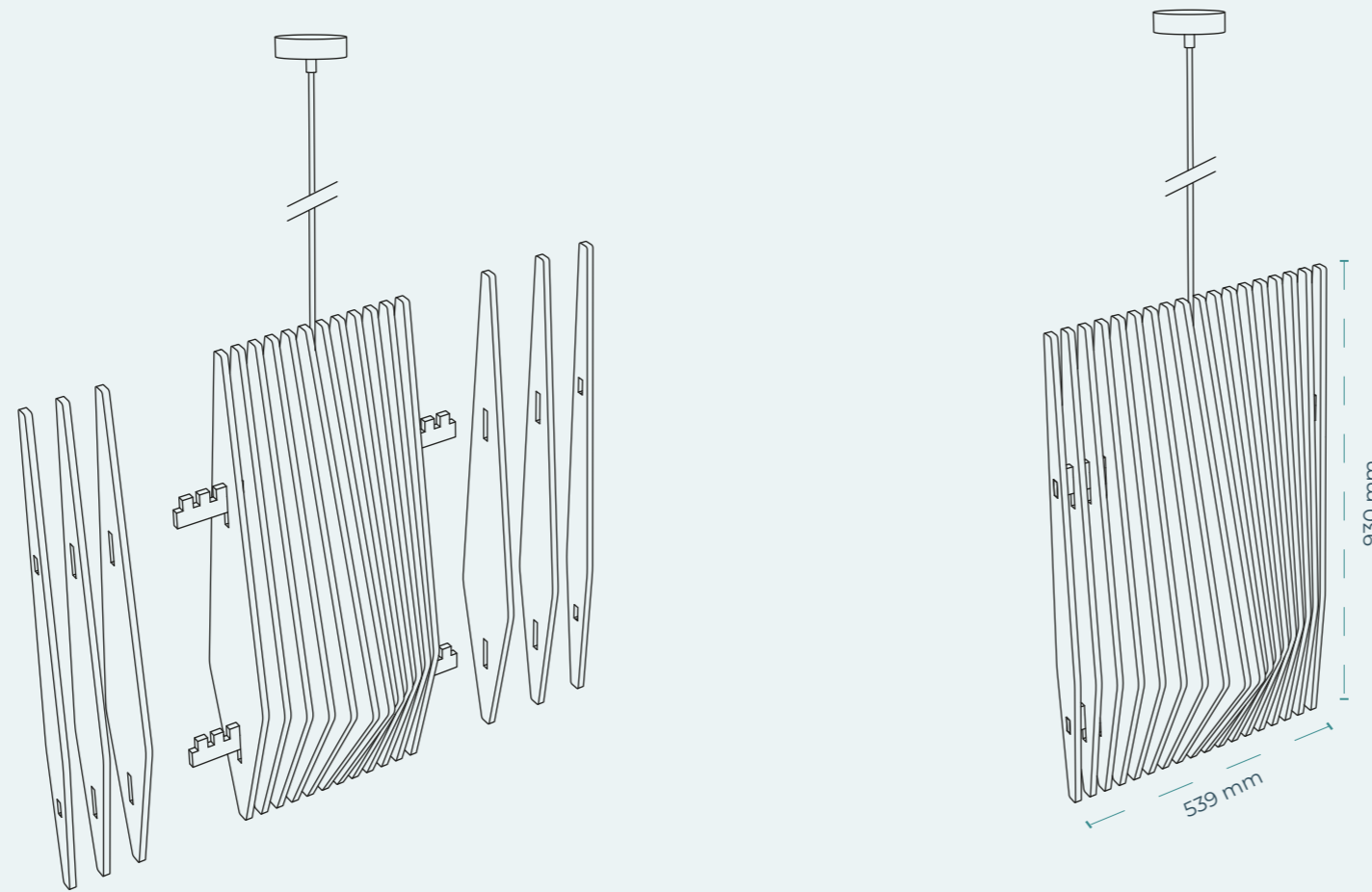




CEILING MORPH PENDANT

HARMONIUM

harmonium.design



SPECIFICATIONS

| | |
|--------------------|---|
| SKU | DBHA0015 |
| Dimensions | 539 x 930 x 369 mm |
| Density - Grammage | 2400 g/m ² - 200 Kg/m ³ |
| Thickness | 12 mm |
| Sound Absorption | 0.9 αW - 0.8 NRC |
| Fire Rating | ASTM E84 Class A, EN 13501, Bs1-d0 |
| Composition | 100% Polyester fibre (PET) |
| Recycled Content | Minimum 75% |
| Emissions | E0-Indoor use, OEKO-TEXT®, VOC's free |
| Application | Ceiling, Creations |
| Tooling | Thru-Cut |

Designer MOJA Design



There are many factors that make Morph unique. The fins of the different panels blend into each other, creating a fascinating colour gradient. Thanks to its design, Morph is also seamlessly adjustable and adapts to the height of your room.



Colours

