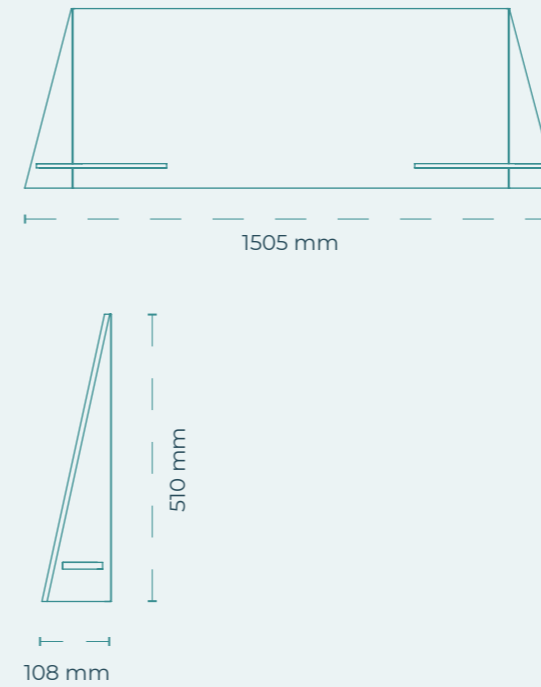
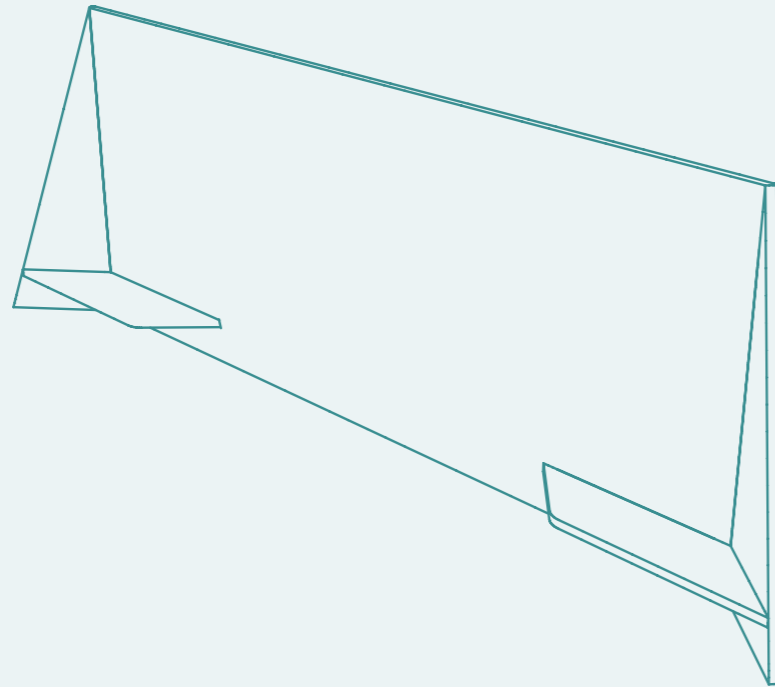




# AEGIS

harmonium.design



### SPECIFICATIONS

SKU	DBHA0045
Dimensions	510 x 1505 x 108 mm
Density - Grammage	2400 g/m <sup>2</sup> - 200 Kg/m <sup>3</sup>
Thickness	12 mm
Sound Absorption	0.9 αW - 0.8 NRC
Fire Rating	ASTM E84 Class A, EN 13501, Bsl-d0
Composition	100% Polyester fibre (PET)
Recycled Content	Minimum 50%
Emissions	E0-Indoor use, OEKO-TEXT®, VOC's free
Application	Workspace divider
Tooling	V-cut /Thru-cut

### Designer MOJA Design



With its folded edges, this divider adds a subtle twist to its otherwise minimalistic design. It is also capable of supporting various small office appliances, making this panel your perfect assistant for concentrated work.



### Colours

01	02	03	04
ONYX	RIVER	PUMICE	POLAR
05	06	07	08
CANARY	SAND	WAKAME	GLACIER
09	10	11	12
SAKURA	AMETHYST	DRAGON	ELEPHANT
13	14	15	16
IGUANA	CAMEL	STARFISH	CORAL
17	18	19	20
STORM	JADE	MACAW	PINECONE

